

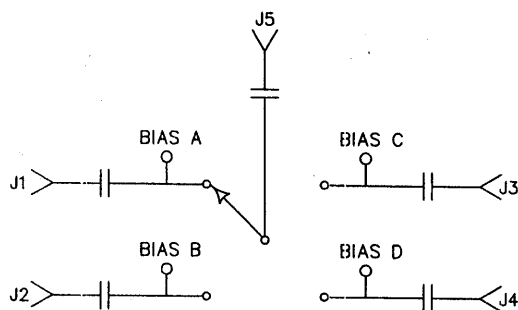
DESCRIPTION

AMC MODEL MSNN-4DT-04T-DEC-SP OPTION: RLC, 50M01 IS AN ABSORPTIVE/NON-REFLECTIVE SINGLE POLE FOUR THROW SWITCH DESIGNED TO OPERATE BETWEEN THE 50 MHz TO 100 MHz FREQUENCY RANGE.

SPECIFICATIONS

- FREQUENCY RANGE: 50 MHz TO 100 MHz
- INSERTION LOSS: 2.0 dB MAXIMUM
- ISOLATION: 60 dB MINIMUM
- VSWR: 1.5:1 MAXIMUM
- SPEED: 1 uSec MAXIMUM
- POWER HANDLING: +27 dBm MAXIMUM
- CONTROL: 2 LINE TTL
- POWER SUPPLY: +5V @ 200 mA MAXIMUM
 -15V @ 100 mA MAXIMUM
- CONNECTORS:
 - RF: SMA FEMALE
 - CONTROL: SOLDER PIN
- OPERATING TEMPERATURE: -20°C TO +70°C
- IMPEDANCE: 50 OHMS
- SIZE: 1.00" (L) x 0.70" (W) x 0.40" (H)

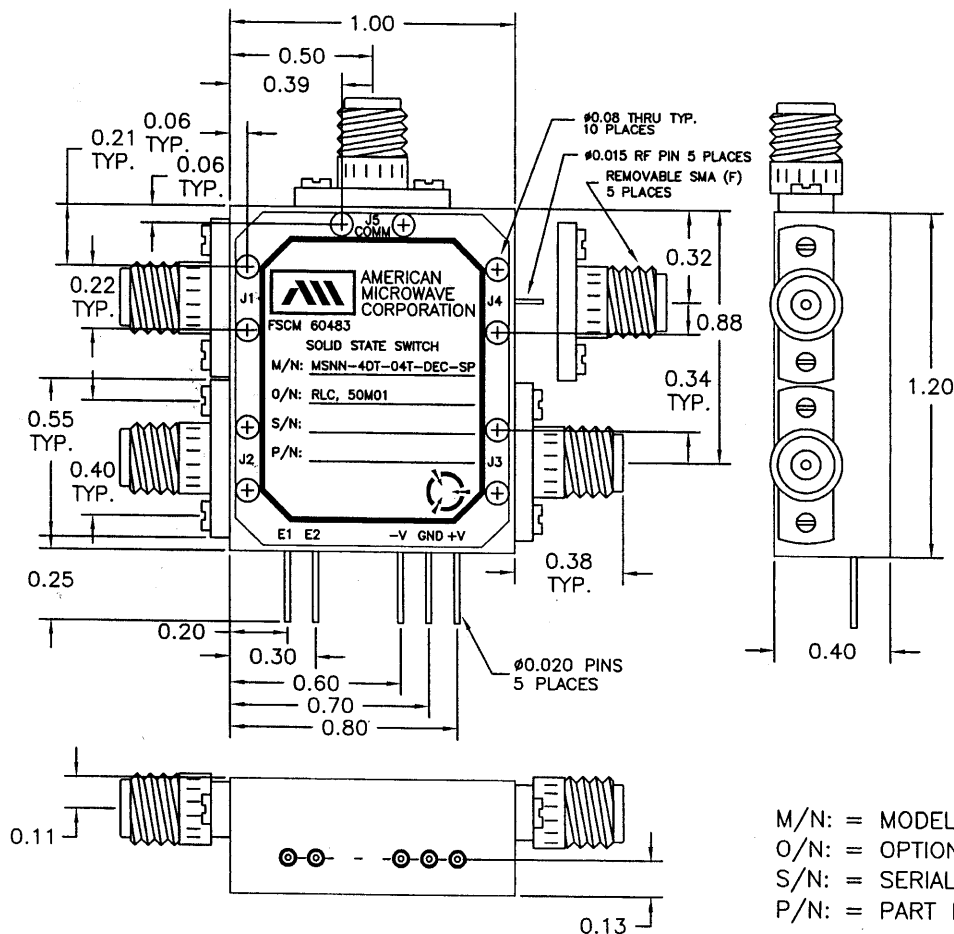
BLOCK DIAGRAM



ENVIRONMENTAL RATINGS:

- TEMPERATURE: -55°C TO +85°C (OPERATING)
 -65°C TO +125°C (STORAGE)
- HUMIDITY: MIL-STD-202F, METHOD 103B COND. B
- SHOCK: MIL-STD-202F, METHOD 213B COND. B
- VIBRATION: MIL-STD-202F, METHOD 204D COND. B
- ALTITUDE: MIL-STD-202F, METHOD 105C COND. B
- TEMPERATURE CYCLE: MIL-STD-202F, METHOD 107D COND. A

NOTE: SPECIFICATIONS WILL VARY OVER OPERATING TEMPERATURE
 NOTE: THE ABOVE SPECIFICATIONS ARE SUBJECT TO CHANGE OR REVISION



M/N: = MODEL NUMBER
 O/N: = OPTION NUMBER
 S/N: = SERIAL NUMBER
 P/N: = PART NUMBER

AMERICAN MICROWAVE CORPORATION

7311-G GROVE ROAD
 FREDERICK, MARYLAND 21704 USA
 TEL: 301-662-4700 FAX: 301-662-4938
 WEBSITE: www.americanmicrowavecorp.com
 E-MAIL: sales@americanmicrowavecorp.com
 ISO 9001:2000 CERTIFIED



APPROVALS		DATE	TITLE			REV.
DRAWN		WSP	PRODUCT FEATURE			
REDRAWN		gdt	MSNN-4DT-04T-DEC-SP			
ISSUED		lt	OPTION: RLC, 50M01			
		4/30/98	50 - 100 MHz, SINGLE POLE FOUR THROW SWITCH			
		1/11/05	SIZE	FSCM NO.	DWG NO.	
		1/14/05	A	60483	100-4388-3	-
			SCALE N:S		SHEET	1 OF 3

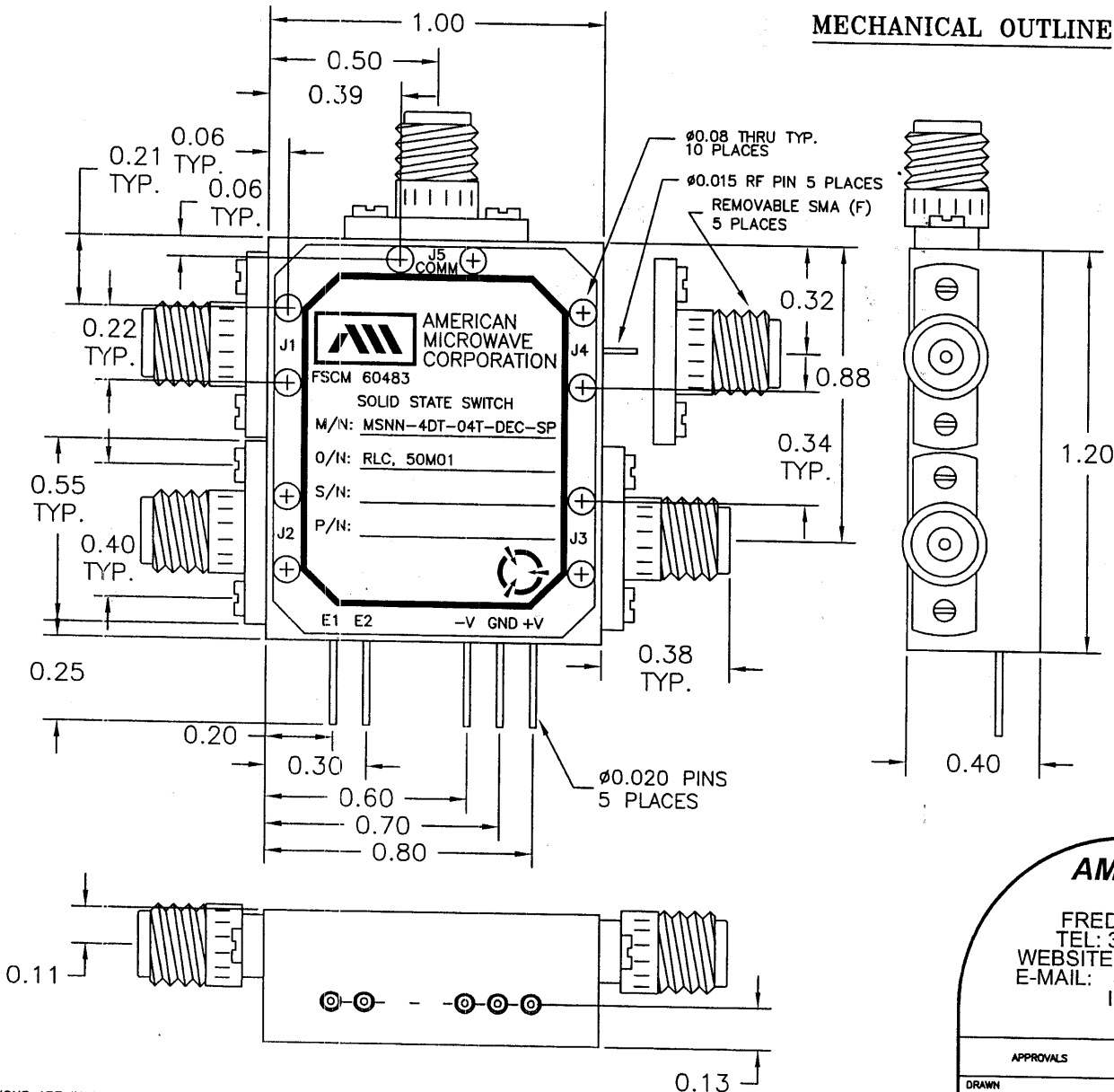
ALL DIMENSIONS ARE IN INCHES
 TOLERANCES:
 X.XX ±0.020
 X.XXX ±0.010

DESCRIPTION

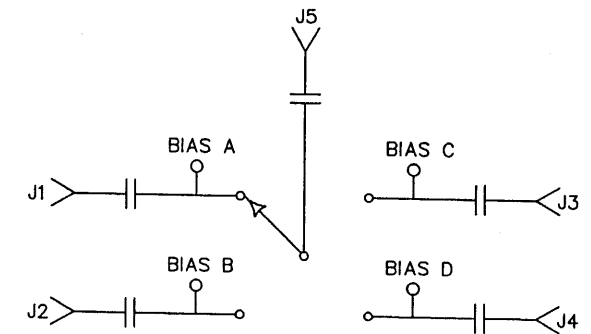
AMC MODEL MSNN-4DT-04T-DEC-SP OPTION: RLC, 50M01 IS AN ABSORPTIVE/NON-REFLECTIVE SINGLE POLE FOUR THROW SWITCH DESIGNED TO OPERATE BETWEEN THE 50 MHZ TO 100 MHZ FREQUENCY RANGE.

ZONE		REV.	DESCRIPTION	DATE	APPROVED
		-	ORIGINAL RELEASE JOB# 80470-3E	4/30/98	

MECHANICAL OUTLINE



BLOCK DIAGRAM



ALL DIMENSIONS ARE IN INCHES
TOLERANCES:
X.XX ±0.020
X.XXX ±0.010

AMERICAN MICROWAVE CORPORATION

7311-G GROVE ROAD
FREDERICK, MARYLAND 21704 USA
TEL: 301-662-4700 FAX: 301-662-4938
WEBSITE: www.americanmicrowavecorp.com
E-MAIL: sales@americanmicrowavecorp.com
ISO 9001:2000 CERTIFIED



APPROVALS		DATE	TITLE			
DRAWN <i>WYP</i>		4/30/98	MECHANICAL OUTLINE MSNN-4DT-04T-DEC-SP OPTION: RLC, 50M01			
REDRAWN <i>JDJ</i>		1/4/05	SIZE A	FSCM NO. 60483	DWG NO. 100-4388-3	REV. -
ISSUED <i>PL</i>		1/14/05	SCALE N:S		SHEET 2 OF 3	